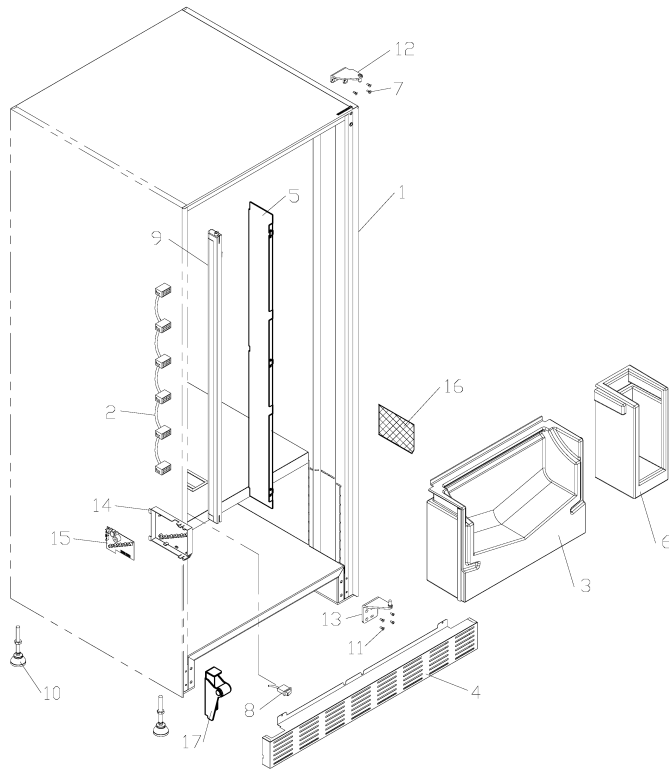




**Spare Parts Catalogue
FAST 900 SA**

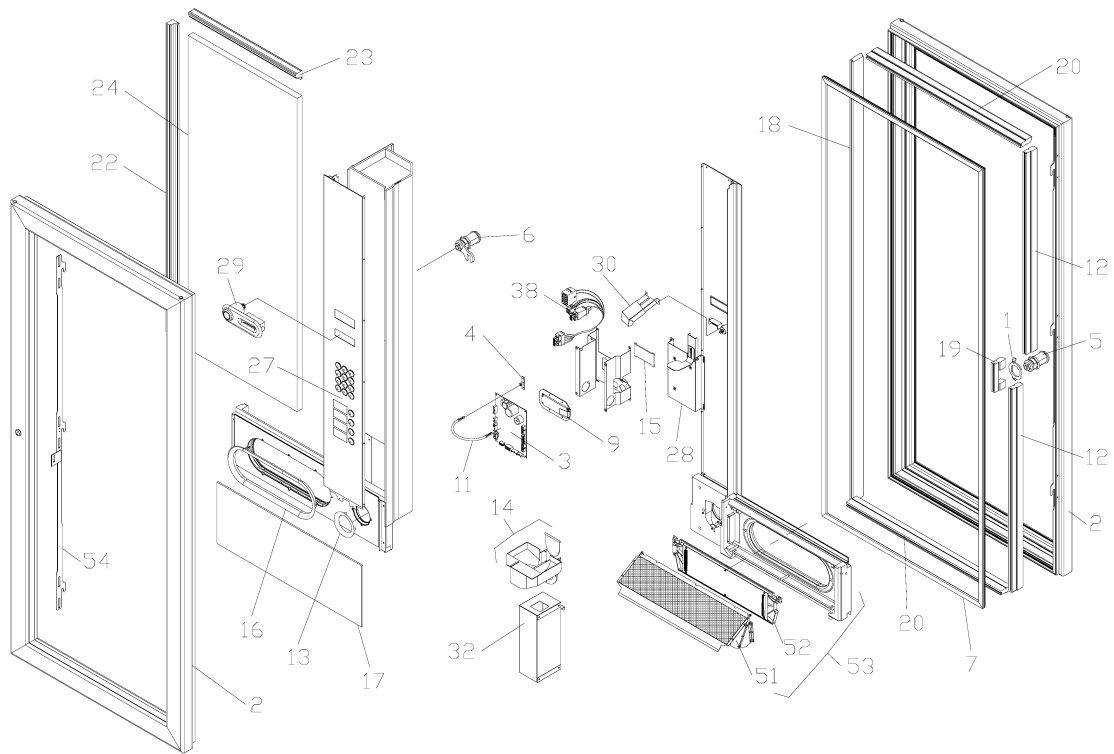
- 1 - CABINET
- 2 - DOOR
- 3 - TRAYS SUPPORT
- 4 - TRAY
- 5 - TRAY ACCESSORIES
- 6 - REFRIGERATION UNIT
- 7 - ELECTRIC PANEL





1 - CABINET

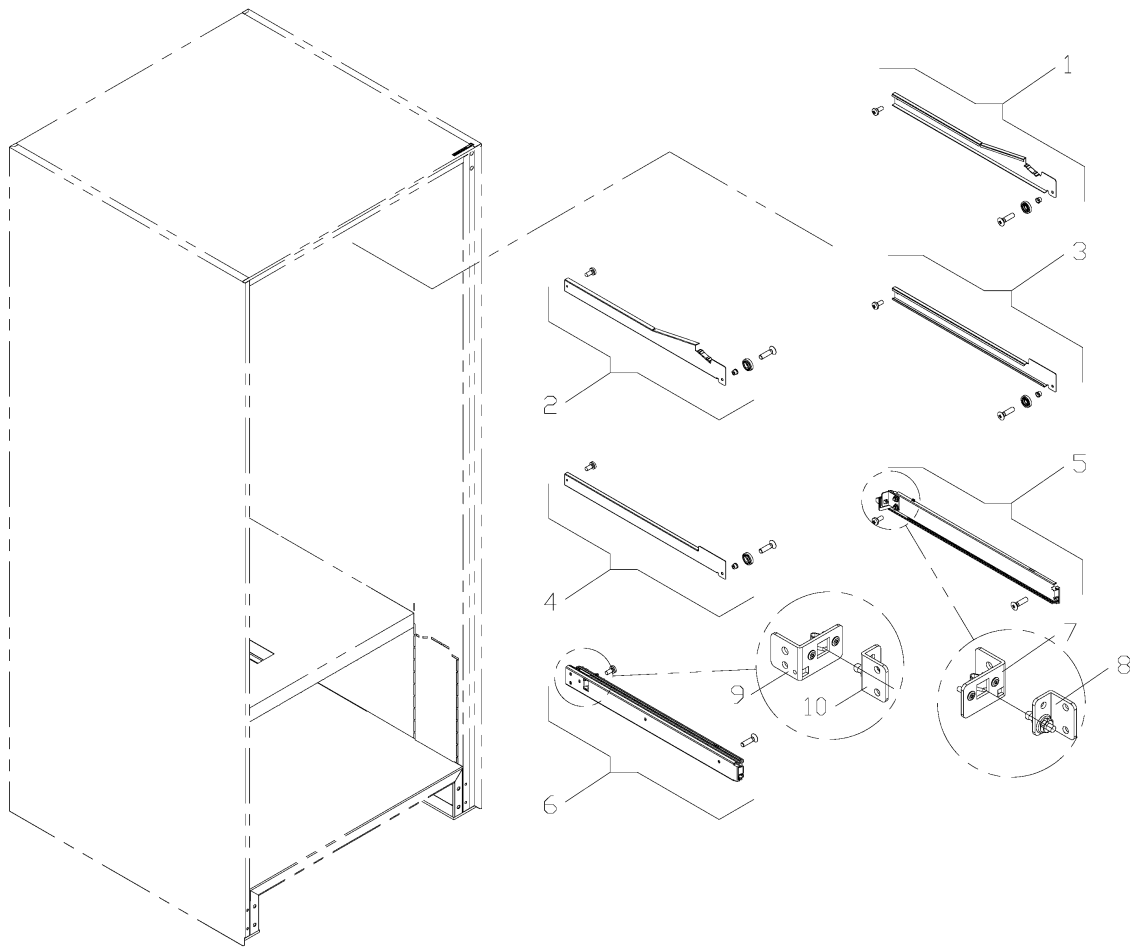
POS	CODE	REC	DESCRIPTION	PRICE
0001	ZZZZ01		NOT PRESENT CODE	--
0002	310297		TRAY COLUMN HARNESS	111,10
0003	826521		PRODUCT RETURN POCKET	40,70
0004	855381		KICKPLATE - RAL 7021	29,50
0005	621185		COVERLAMP	30,50
0006	750049		CASH BOX HOLDER	17,60
0007	ZZZZ01		NOT PRESENT CODE	--
0008	310047	X	DOOR MICRO(MIN.ORD.2PCS.)	3,10
0009	310315		NEON	33,50
0010	820437		REGULATOR PIVOT+NO SLIP LEG	10,00
0011	201225		SCREW(MIN.ORD.20PCS.)	0,50
0012	720514NN		DOOR UPPER HINGE ASSY	18,20
0013	720515NN		DOOR LOWER RIGHT SUPPORT ASSY	23,00
0014	400949		PHOTOCELL COVER(MIN.ORD.2PCS.)	2,40
0015	082642		REFLECTOR PHOTOCELL BOARD	198,20
0016	220915		SELF-ADHESIVE REFLECTING STICKER	7,30
0017	720488		DOOR SLIDING BRACKET	7,90





2 - DOOR

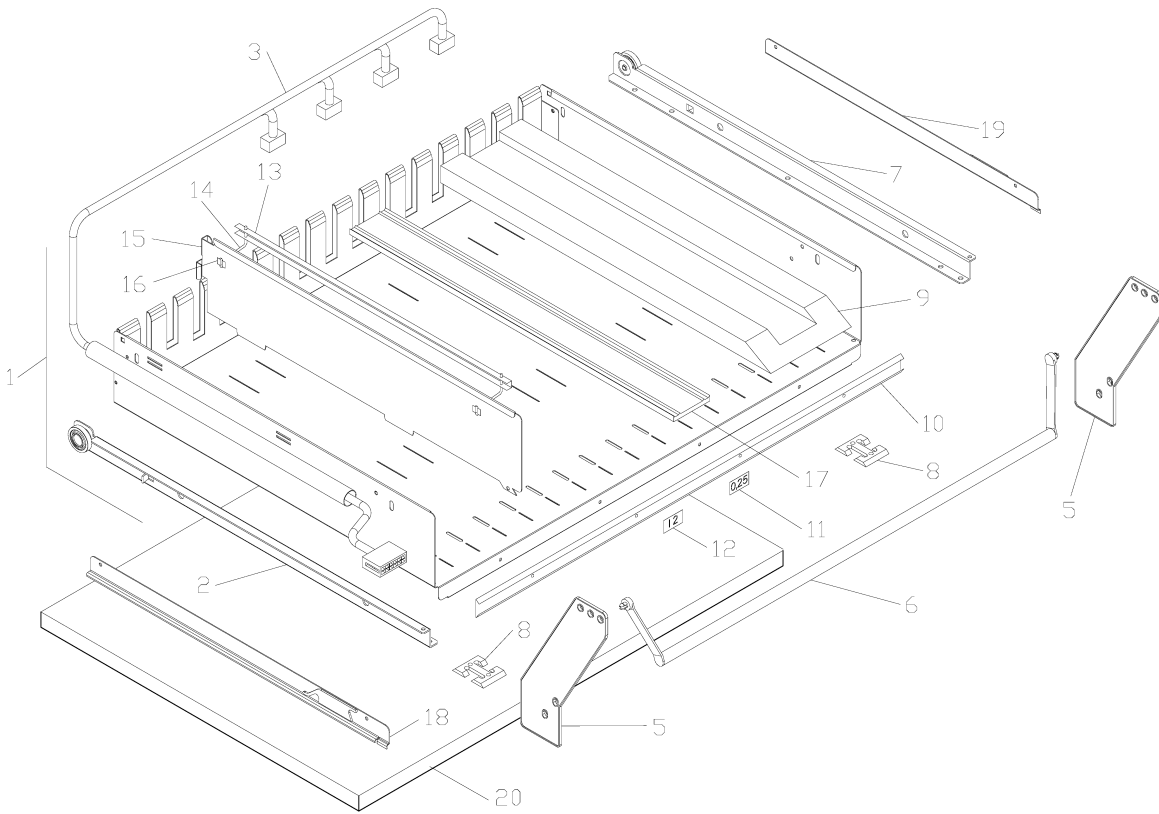
POS	CODE	REC	DESCRIPTION	PRICE
0001	624776		O RING LOCK FAST	7,00
0002	826463		DOOR FRAME	348,70
0003	082634	X	MAIN BOARD	172,80
0004	082720		DISTRIBUTION FEEDING BOARD	7,20
0005	210249		BLOCK LOCK	33,00
0006	210320		TUB LOCK+CAM	7,90
0007	221053		MAGNETIC GASKET	22,80
0009	014565	X	DISPLAY	40,30
0011	310310		FLAT 24V UNIVERSO	4,20
0012	400841		GASKET PROFILE	11,30
0013	400844		CHANGE GIVER FRAME (RAL7021)(MIN.ORD.3PCS.)	1,70
0014	726288		COIN CHUTE ASSY.(MIN.ORD.2PCS.)	3,40
0015	400849		DISPLAY PLATE	4,30
0016	400857		FRAME DELIVERY DOOR (RAL7021)	11,70
0017	401145		SERIGRAPHY PANEL (BROWN)	42,20
0018	400867		GASKET PROFILE	15,90
0019	401104		GASKET PROFILE(MIN.ORD.2PCS.)	3,20
0020	400869		GASKET PROFILE	13,20
0022	401101		RIGHT GLASS STOP	13,60
0023	401105		UPPER GLASS STOP	8,90
0024	420067		GLASS	157,50
0027	826259	X	FRONTAL PANEL WITH KEYPAD	100,00
0028	826455		COIN-MECHANISM SUPPORT+COIN RETURN LEVER	23,60
0029	826456		COIN RECOVERY PUSH BUTTON ASSY (RAL7021)	6,90
0030	826494		COIN CHUTE(MIN.ORD.2PCS.)	2,70
0032	401150		COIN BOX ASSEMBLY	6,10
0038	310296		OMNIA UNIVERSO CHANGE GIVER INTERFACE	11,60
0051	726403	X	GOODS DELIVERY FLAP PROTECTION	61,80
0052	826486		DELIVERY DOOR	15,00
0053	826669		DELIVERY DOOR ASSEMBLY	114,40
0054	726275		LOCK GROUP	25,40





3 - TRAYS SUPPORT

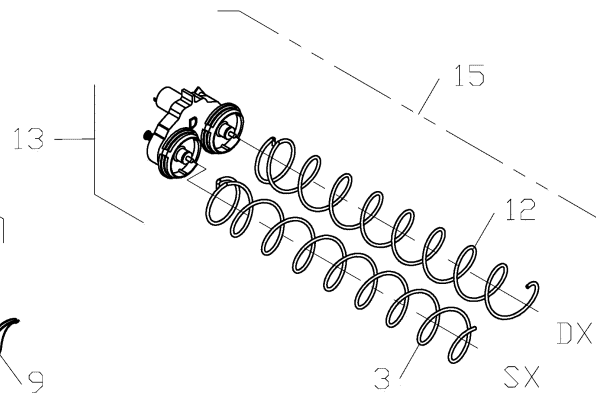
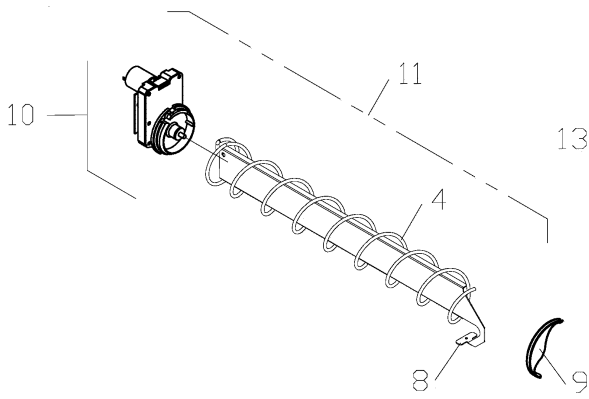
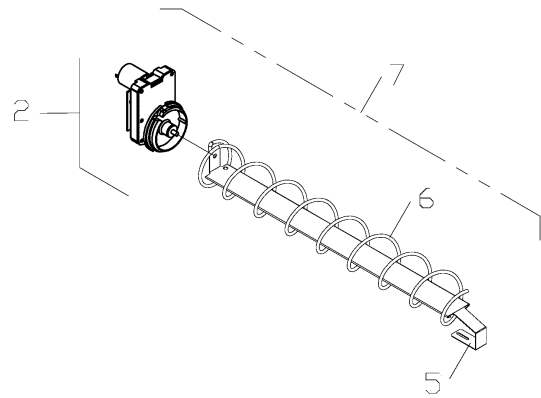
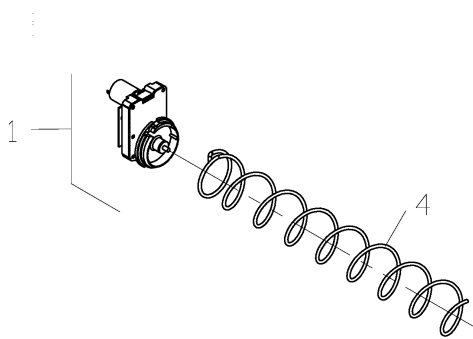
POS	CODE	REC	DESCRIPTION	PRICE
0001	801003		RIGHT GUIDE ASSEMBLY	8,30
0002	801004		LEFT SLIDING ASSEMBLY	8,30
0003	801006		RIGHT STRAIGHT GUIDE ASSEMBLY	12,80
0004	801005		LEFT STRAIGHT GUIDE ASSEMBLY	12,80
0005	801038		RIGHT SPECIAL SLIDING GUIDE	36,10
0006	801037		LEFT SPECIAL SLIDING GUIDE	36,10
0007	830515		RIGHT FEMALE TRAY FASTENING BRACKET	5,00
0008	830519		MALE TRAY FASTENING BRACKET	5,70
0009	830518		LEFT FEMALE TRAY FASTENING BRACKET	5,00
0010	830519		MALE TRAY FASTENING BRACKET	5,70





4 - TRAY

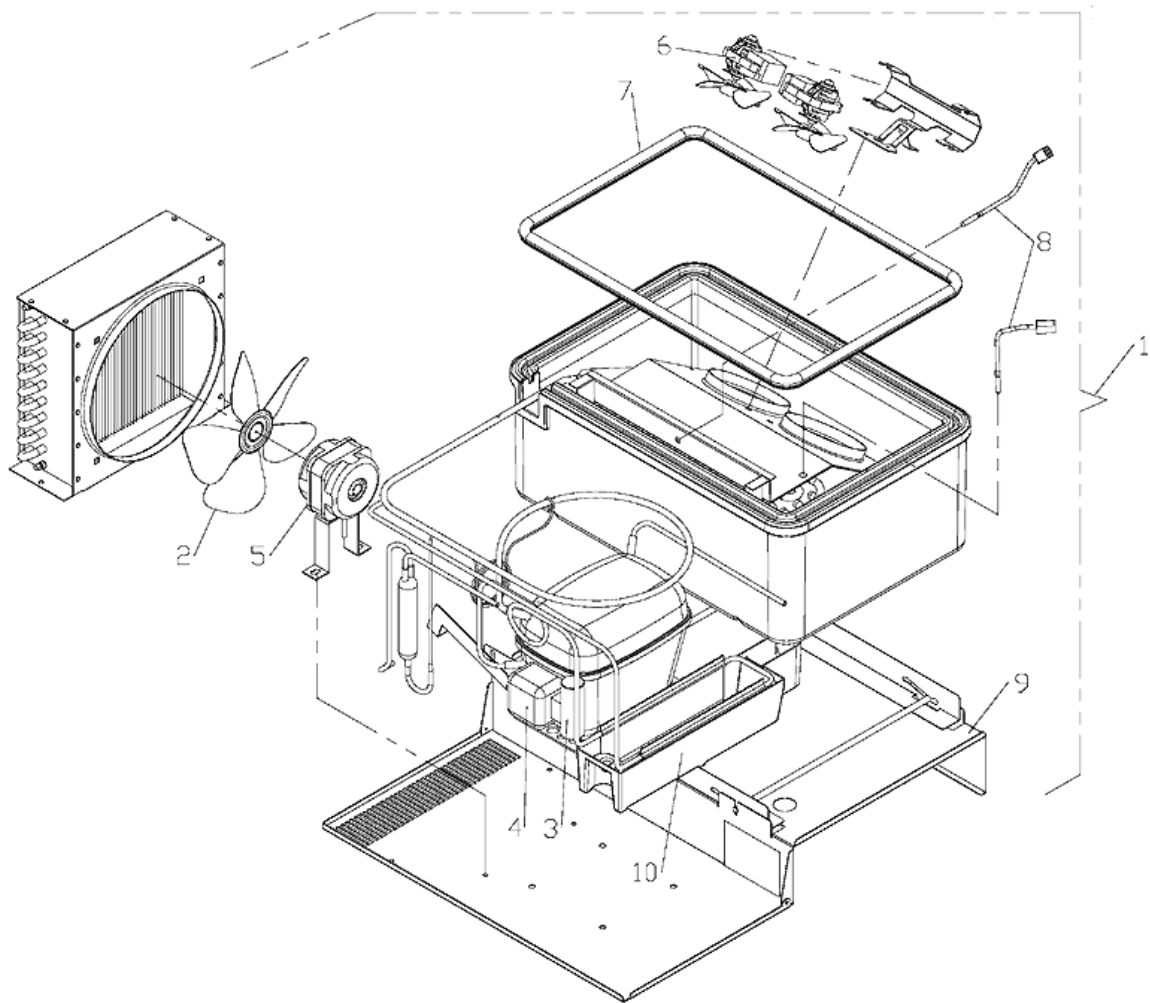
POS	CODE	REC	DESCRIPTION	PRICE
0001	801008		KIT TRAY "M" (RAL 9005)	95,50
0002	830143NN		LEFT SLIDING GUIDE ASSEMBLY	5,00
0003	310301	X	WIRING HARNESS TRAY	19,40
0005	631383		BRACKET FOR DISPENSING BOTTLES	4,60
0006	750043		BOTTLE DISPENSING BAR	12,30
0007	830142NN		RIGHT SLIDING GUIDE ASSEMBLY	5,00
0008	630481		TRAY LOCKING SPRING(MIN.ORD.4PCS.)	1,30
0009	400001		SPIRAL SUPPORT (WHITE)(MIN.ORD.2PCS.)	3,40
0009	400838		SPIRAL SUPPORT (BLACK)(MIN.ORD.2PCS.)	2,60
0010	400722		PRICE LABEL HOLDER IN PLASTIC(MIN.ORD.4PCS.)	1,50
0011	220064		PRICE LABELS SHEET (DUPLEXING)	13,70
0011	220165		PRICE LABELS SHEET (1 TO 0)	12,00
0011	220201		LABELS NUMBER 2/3/5	10,00
0011	220841		EURO/POUNDS SELECTOR INDIC. PANEL	6,90
0012	220157		SELECTOR INDICATOR PANEL	12,70
0013	400594		ADJUSTABLE SIDE PLATE (BLACK)(MIN.ORD.3PCS.)	2,00
0013	400595		ADJUSTABLE SIDE PLATE (WHITE)(MIN.ORD.3PCS.)	2,00
0014	211002		ADJUSTABLE SPRING PIN(MIN.ORD.5PCS.)	1,20
0015	630779BI		TRAY SEPARATOR (WHITE)(MIN.ORD.2PCS.)	3,10
0015	630779NN		TRAY SEPARATOR (BLACK)(MIN.ORD.2PCS.)	3,10
0016	211028		SPRING PIN MIDFEATHER SUPPORT(MIN.ORD.5PCS.)	1,20
0017	400199		SPIRAL TRAY (WHITE)(MIN.ORD.3PCS.)	2,10
0018	210251		SPECIAL LEFT TRAY SUPPORT(MIN.ORD.2PCS.)	2,80
0019	210253		SPECIAL RIGHT TRAY SUPPORT(MIN.ORD.2PCS.)	2,80
0020	ZZZZ02		NOT PRESENT CODE IN THIS MODEL	--





5 - TRAY ACCESSORIES

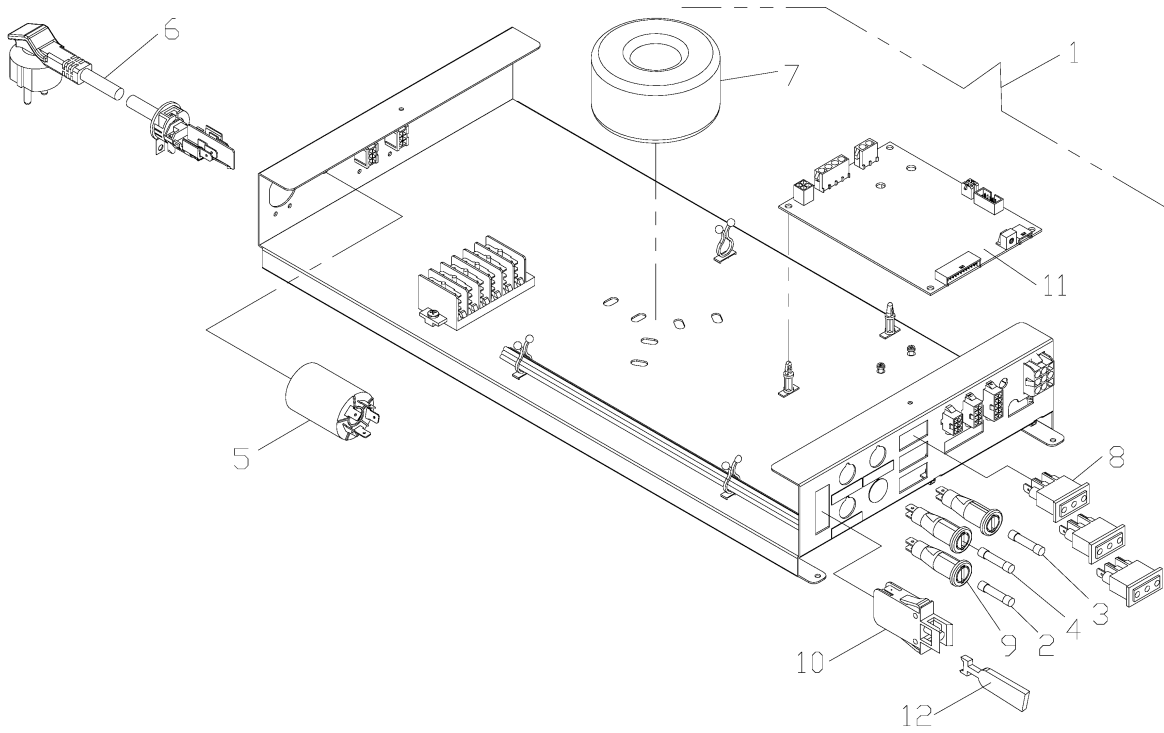
POS	CODE	REC	DESCRIPTION	PRICE
0001	830290	X	GEAR MOTOR UNIT 1 TURN	25,50
0002	830420	X	GEAR MOTOR UNIT FOR 6 PRODUCTS	20,90
0003	211014NN		SPIRAL PITCH 20 (LEFT)PR. 20 - Ø66	8,70
0003	211017NN		SPIRAL PITCH 42 (LEFT)PR. 9 - Ø66	8,70
0003	211019NN		SPIRAL PITCH 26 (LEFT)PR. 16 - Ø66	8,70
0003	211027NN		SPIRAL PITCH 36 (LEFT)PR. 11 - Ø66	8,70
0003	211043NN		SPIRAL PITCH 80 (LEFT)PR. 5 - Ø70	8,70
0003	211081NN		SPIRAL PITCH 30 (LEFT)PR. 13 - Ø66	8,70
0003	211085NN		SPIRAL PITCH 64 (LEFT)PR. 6 - Ø66	8,70
0003	211086NN		SPIRAL PITCH 54 (LEFT)PR. 7 - Ø66	8,70
0004	211013NN		SPIRAL PITCH 45 (LEFT)PR. 9 - Ø78	8,80
0004	211014NN		SPIRAL PITCH 20 (LEFT)PR. 20 - Ø66	8,70
0004	211017NN		SPIRAL PITCH 42 (LEFT)PR. 9 - Ø66	8,70
0004	211019NN		SPIRAL PITCH 26 (LEFT)PR. 16 - Ø66	8,70
0004	211027NN		SPIRAL PITCH 36 (LEFT)PR. 11 - Ø66	8,70
0004	211043NN		SPIRAL PITCH 80 (LEFT)PR. 5 - Ø70	8,70
0004	211054NN		SPIRAL PITCH 100 (LEFT)PR. 4 - Ø78	8,70
0004	211057NN		SPIRAL PITCH 10 (LEFT)PR. 43 - Ø66	26,60
0004	211064NN		SPIRAL PITCH 19 (LEFT)PR. 20 - Ø78	10,20
0004	211081NN		SPIRAL PITCH 30 (LEFT)PR. 13 - Ø66	8,70
0004	211082NN		SPIRAL PITCH 35 (LEFT)PR. 11 - Ø78	8,70
0004	211083NN		SPIRAL PITCH 55 (LEFT)PR. 7 - Ø78	8,70
0004	211084NN		SPIRAL PITCH 78 (LEFT)PR. 5 - Ø78	8,70
0004	211085NN		SPIRAL PITCH 64 (LEFT)PR. 6 - Ø66	8,70
0004	211086NN		SPIRAL PITCH 54 (LEFT)PR. 7 - Ø66	8,70
0004	211087NN		SPIRAL PITCH 65 (LEFT)PR. 6 - Ø78	8,70
0004	211135NN		SPIRAL PITCH 88 (LEFT)PR. 5 - Ø78	4,60
0005	855155		PRODUCT SUPPORT KIT ASSY FOR 6	8,50
0006	211167NN		SPIRAL PITCH 75 (LEFT) (6 PRODOTTI)PR. 6 - Ø66	4,90
0007	855139		MOTOR ASSY + SPRING 6 PROD. FOR CANSPR. 6 - Ø66	34,60
0008	630773NN		INTERNAL SEPARATOR FOR 1/2 TURN	15,00
0009	400800		PRODUCT PUSHER(MIN.ORD.10PCS.)	1,00
0010	830299		SPIRAL GR. PITCH ½ TOURN.	31,50
0011	855241		MOTOR ASSY + SPRING ½ TOURN P.20PR. 20X2 - Ø66	65,00
0011	855242		MOTOR ASSY + SPRING ½ TOURN P.26PR. 16X2 - Ø66	52,10
0011	855243		MOTOR ASSY + SPRING ½ TOURN P.30PR. 13X2 - Ø66	52,10
0012	211039NN		SPIRAL PITCH 64 (RIGHT) PR. 6 - Ø66	8,70
0012	211041NN		SPIRAL PITCH 36 (RIGHT) PR. 11 - Ø66	8,70
0012	211042NN		SPIRAL PITCH 42 (RIGHT) PR. 9 - Ø66	8,70
0012	211079NN		SPIRAL PITCH 20 (RIGHT) PR. 20 - Ø66	22,50
0012	211088NN		SPIRAL PITCH 54 (RIGHT) PR. 7 - Ø66	8,70
0012	211089NN		SPIRAL PITCH 26 (RIGHT) PR. 16 - Ø66	8,70
0012	211090NN		SPIRAL PITCH 30 (RIGHT) PR. 13 - Ø66	8,70
0012	211091NN		SPIRAL PITCH 80 (RIGHT) PR. 5 - Ø70	8,70
0013	830291	X	DOUBLE SPIRAL GR. PITCH	34,10
0015	855373		MOTOR ASSY + DOUBLE SPIRALS P.54PR. 7 - Ø66	46,70
0015	855700		MOTOR ASSY + DOUBLE SPIRALS P.26PR. 16 - Ø66	48,70
0015	855701		MOTOR ASSY + DOUBLE SPIRALS P.30PR. 13 - Ø66	48,50
0015	855702		MOTOR ASSY + DOUBLE SPIRALS P.36PR. 11 - Ø66	47,90
0015	855703		MOTOR ASSY + DOUBLE SPIRALS P.42PR. 9 - Ø66	47,40
0015	855705		MOTOR ASSY + DOUBLE SPIRALS P.64PR. 6 - Ø66	46,70
0015	855706		MOTOR ASSY + DOUBLE SPIRALS P.80PR. 5 - Ø66	46,70





6 - REFRIGERATION UNIT

POS	CODE	REC	DESCRIPTION	PRICE
0001	840191		REFRIGERATION UNIT	667,90
0002	410371		BLADE	6,50
0003	ZZZZ01		NOT PRESENT CODE	--
0004	ZZZZ01		NOT PRESENT CODE	--
0005	410106	X	FAN MOTOR	36,80
0006	840192		AXIAL VENTILATOR	24,50
0007	221059		DRAWN RUBBER GASKET(MIN.ORD.2PCS.)	2,80
0008	310398	X	TEMPERATURE SENSOR CABLE	7,10
0009	ZZZZ01		NOT PRESENT CODE	--
0010	400840		DRIP TRAY	11,50





7 - ELECTRIC PANEL

POS	CODE	REC	DESCRIPTION	PRICE
0001	ZZZZ01		NOT PRESENT CODE	--
0002	300425	X	FUSE DELAYED 6,3X32 CT16A(MIN.ORD.3PCS.)	2,00
0003	300410	X	FUSE 6,3X32 3,15A(MIN.ORD.5PCS.)	1,20
0004	300415	X	FUSE 6,3X32 6,3A(MIN.ORD.5PCS.)	1,20
0005	300310		RADIO NOISE SUPP. FILTER	16,80
0006	300133		FEED WIRE + TERMINAL (STD)	14,50
0006	300459		FEED WIRE + TERMINAL (UK)	22,90
0007	310183	X	TRANSFORMER	50,80
0008	ZZZZ01		NOT PRESENT CODE	--
0009	ZZZZ01		NOT PRESENT CODE	--
0010	300434		TWILL MICRO DOOR	11,40
0011	082636	X	POWER BOARD	153,90
0012	400130		SERVICE KEY(MIN.ORD.4PCS.)	1,40